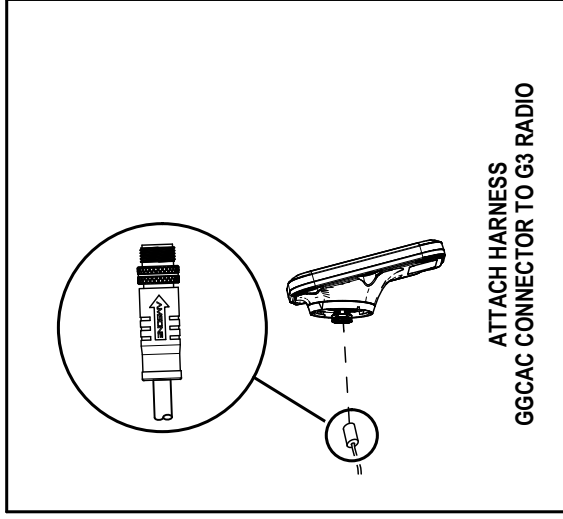
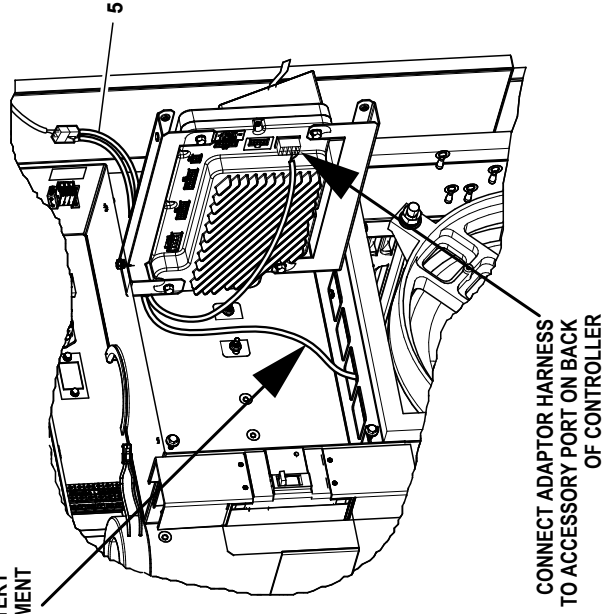
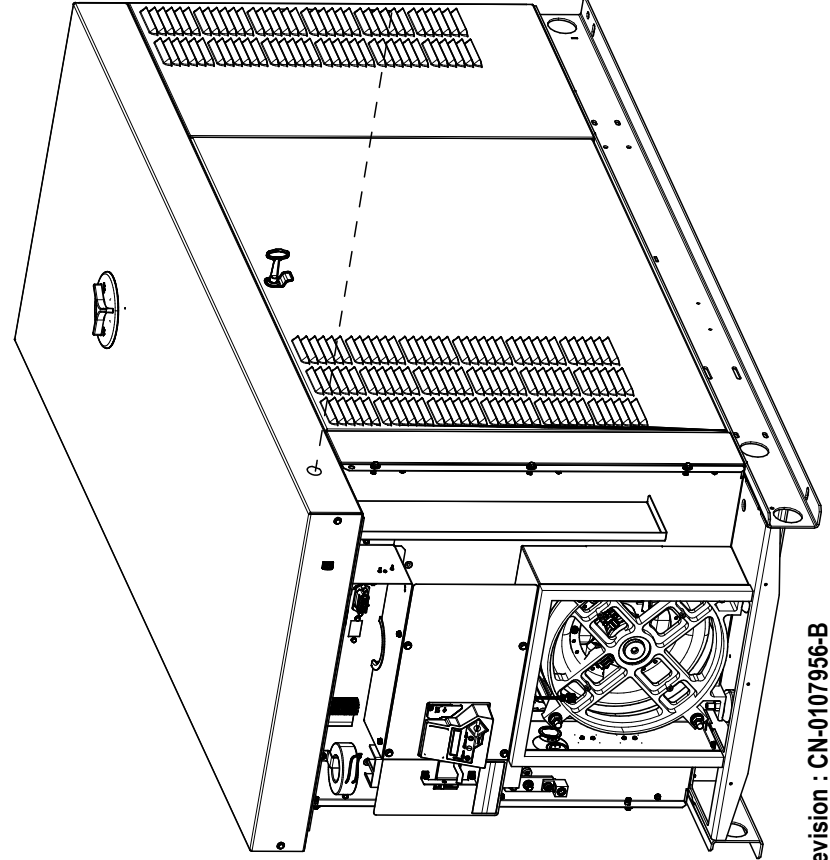


GROUP A



ROUTE ADAPTOR HARNESS POWER
WIRES TOWARD BATTERY
COMPARTMENT



EXPLODED VIEW: EV CONBOX SPCL PARTS G3 RADIO EVOLUTION

DRAWING#: A0006368824

GROUP A

ITEM	PART#	QTY.	DESCRIPTION
(1)1	A0004175705	REF	G3 12V RADIO ASSEMBLY
2	A0008096664	1	LOCK RING STANDARD MOUNT - SABIC
3	A0008096670	1	STD MOUNTING ASSY G3 RADIO - SABIC
4	A0005166075	1	HARNESS, M12-5M/6-PIN
5	OK2231	1	HARN MOBILE LINK CPL

NOTES (UNLESS OTHERWISE SPECIFIED):

(1) PART TO BE PACKAGED AND SHIPPED LOOSE IN MANUAL BAG.