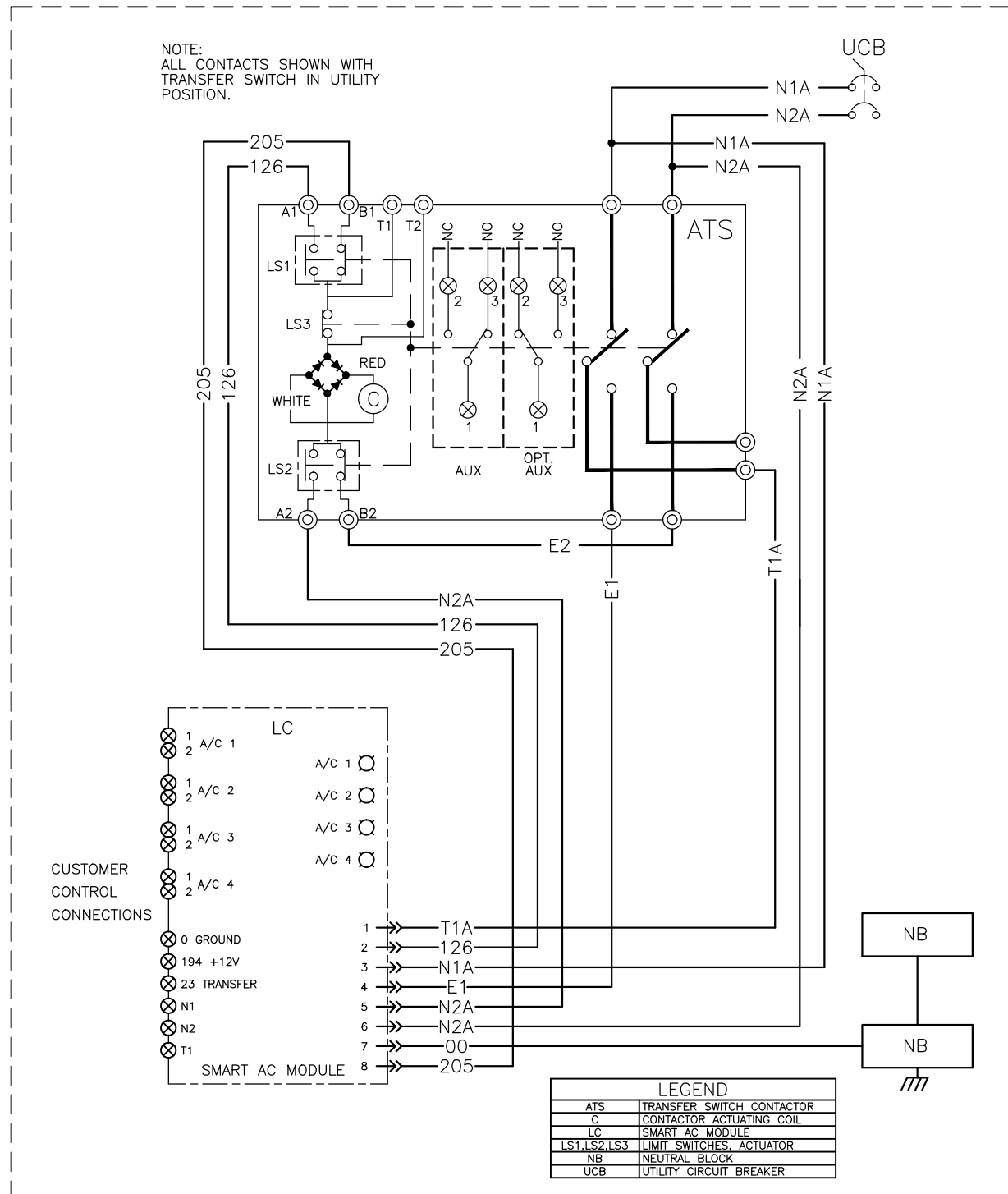
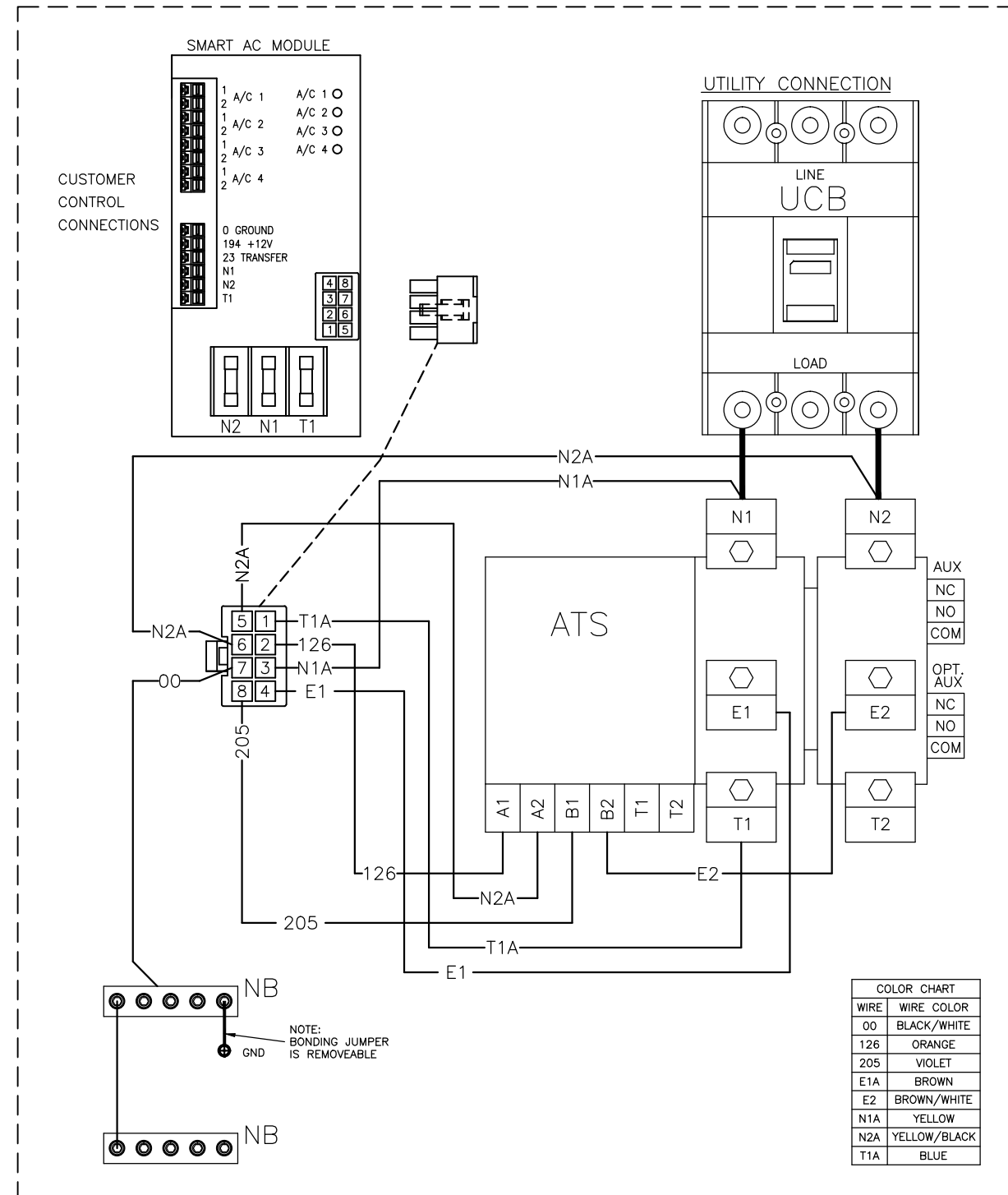


### SCHEMATIC DIAGRAM



### WIRING DIAGRAM

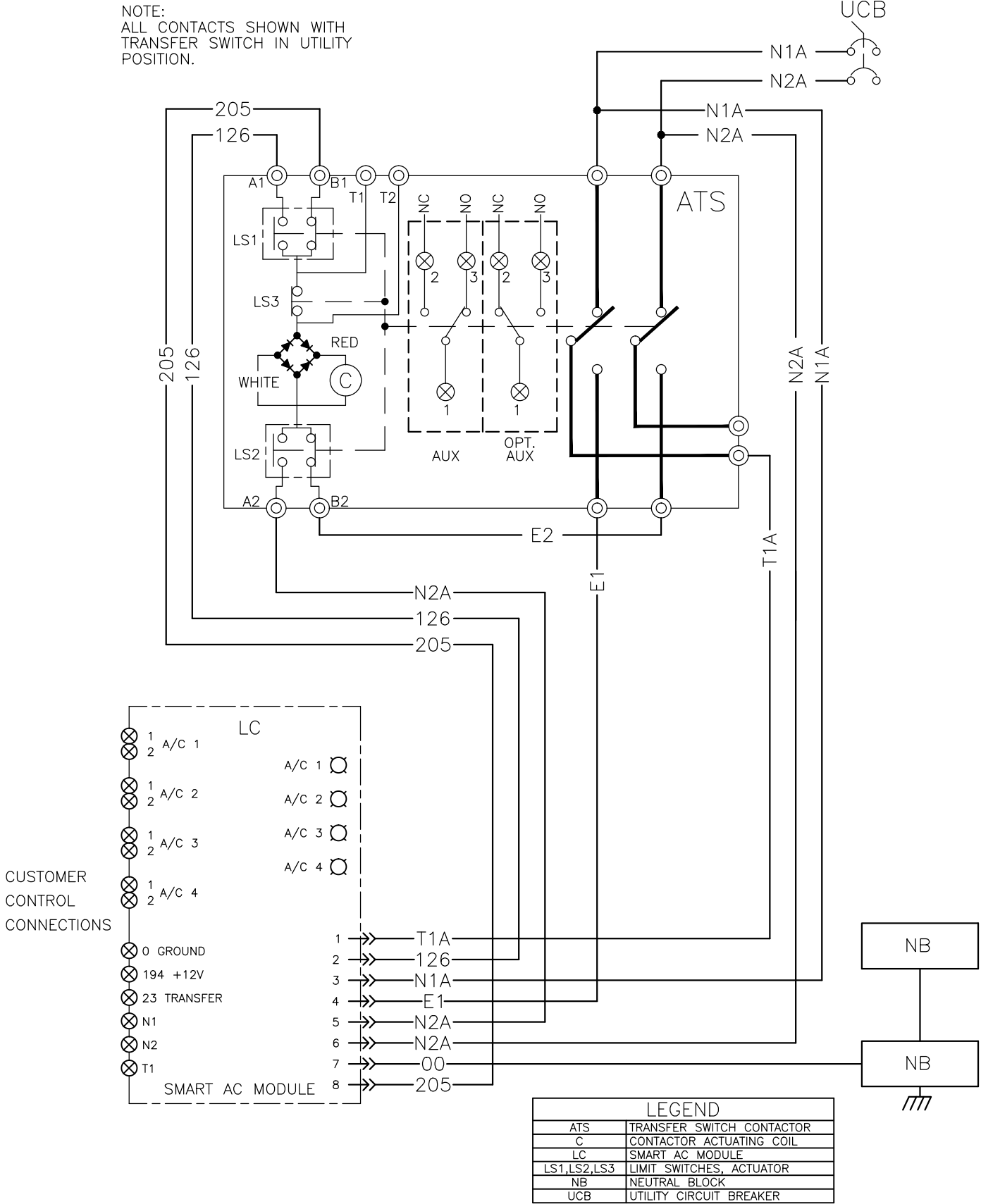


**DO NOT SCALE**  
 ALL DIMENSIONS AND TOLERANCING PER ASME Y14.5M-1994  
 UNLESS OTHERWISE SPECIFIED  
 ALL XX DIM ---- ±0.4 MM  
 ALL XX.X DIM ---- ±0.4 MM  
 ALL XX.XX DIM -- ±0.15 MM  
 ALL ANGLES ----- ±1°

DESCRIPTION		SD/WD 400A CUL SE		<b>GENERAC®</b>	
MATERIAL		-			
DRAWN BY	DRAWN DATE	EST WEIGHT	FINAL WEIGHT	FILENAME	SIZE
DL	07/31/2018	-	-	10000041100.DWG	B
ALL APPROVALS ELECTRONICALLY STORED INSIDE WINDCHILL				SCALE	FIRST USE
GENERAC POWER SYSTEMS OWNS THE COPYRIGHT OF THIS DRAWING WHICH IS SUPPLIED IN CONFIDENCE AND MUST NOT BE USED FOR ANY PURPOSE OTHER THAN FOR WHICH IT IS SUPPLIED WITHOUT THE EXPRESS WRITTEN CONSENT OF GENERAC POWER SYSTEMS. © GENERAC POWER SYSTEMS 2017.				NTS	400A CUL
				DRAWING NUMBER	REV
				10000041100	A

# GROUP G

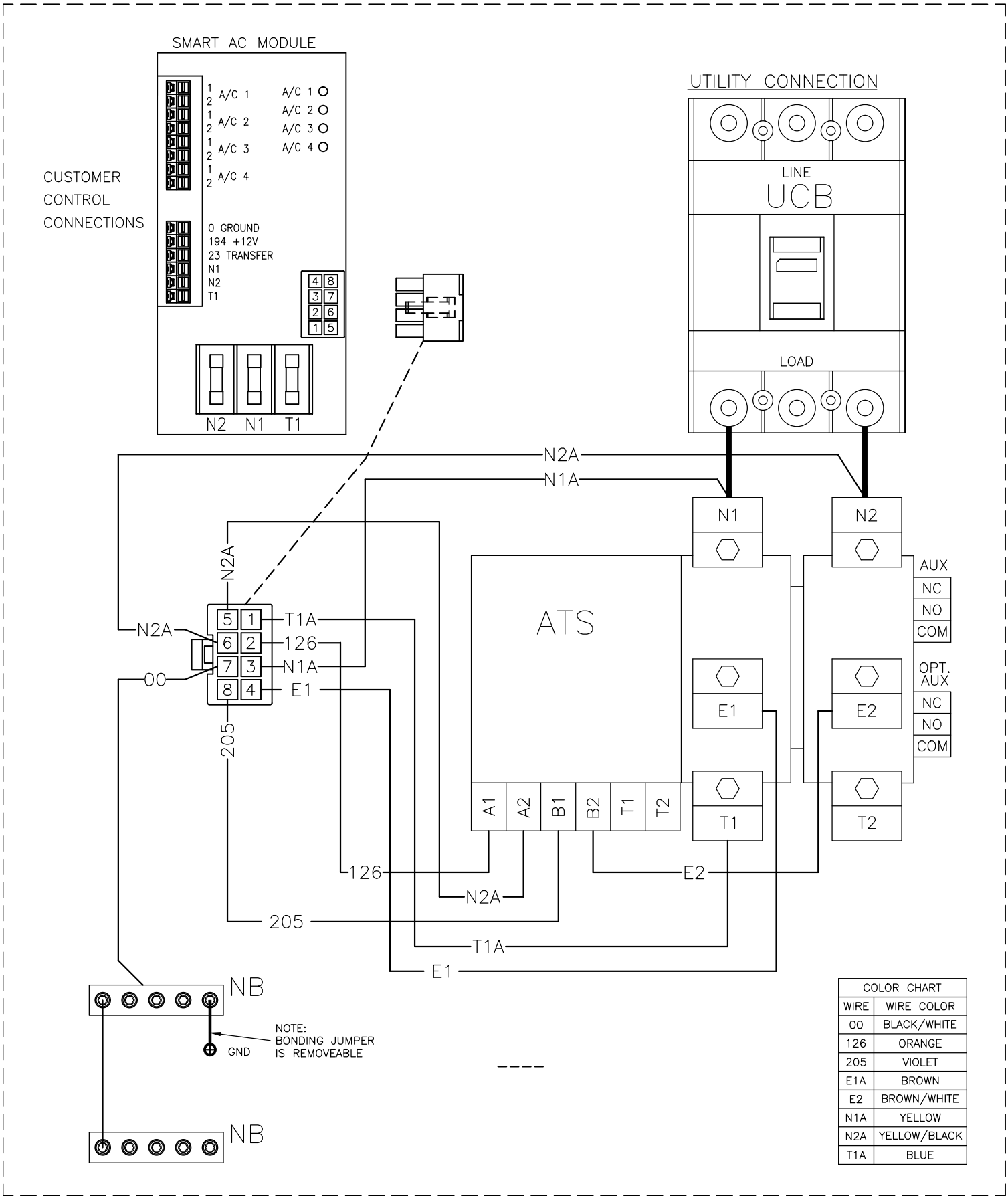
NOTE:  
ALL CONTACTS SHOWN WITH  
TRANSFER SWITCH IN UTILITY  
POSITION.



REVISION: A  
DATE: 07/31/2018

SCHMATIC DIAGRAM  
SERVICE ENTRANCE W/SMART AC MODULE  
DRAWING #: 10000041100

# GROUP G



COLOR CHART	
WIRE	WIRE COLOR
00	BLACK/WHITE
126	ORANGE
205	VIOLET
E1A	BROWN
E2	BROWN/WHITE
N1A	YELLOW
N2A	YELLOW/BLACK
T1A	BLUE

REVISION: A  
DATE: 07/31/2018

WIRING DIAGRAM  
SERVICE ENTRANCE W/SMART AC MODULE  
DRAWING #: 1000041100