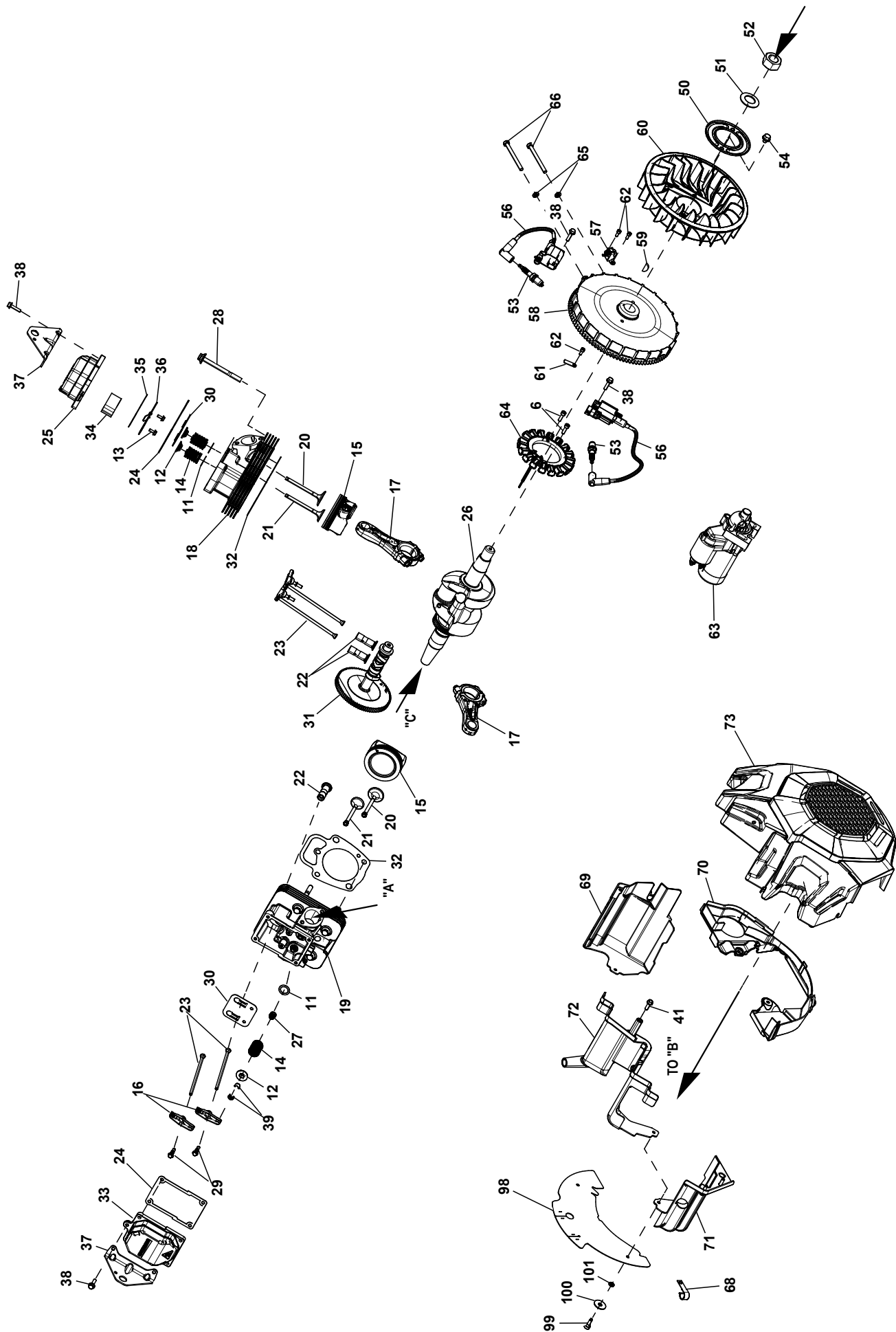
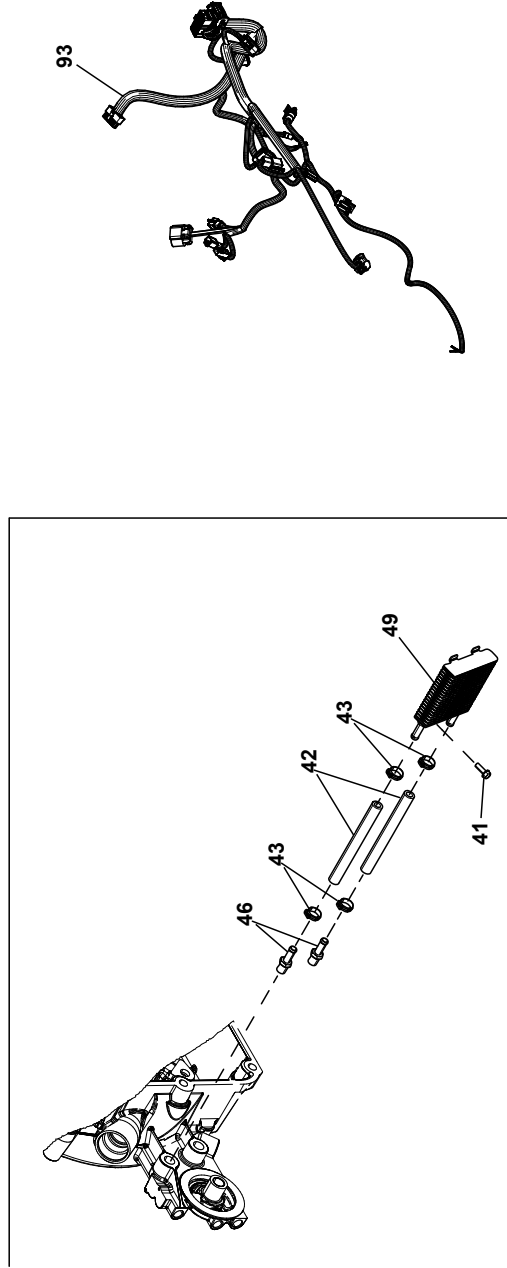
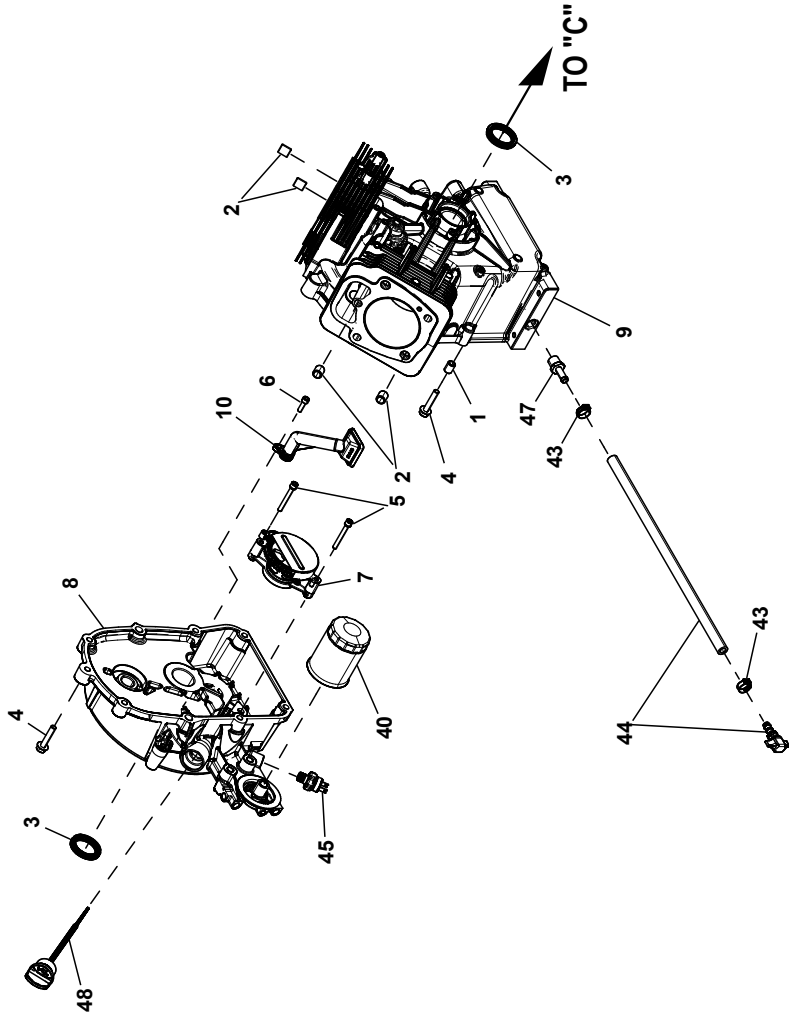
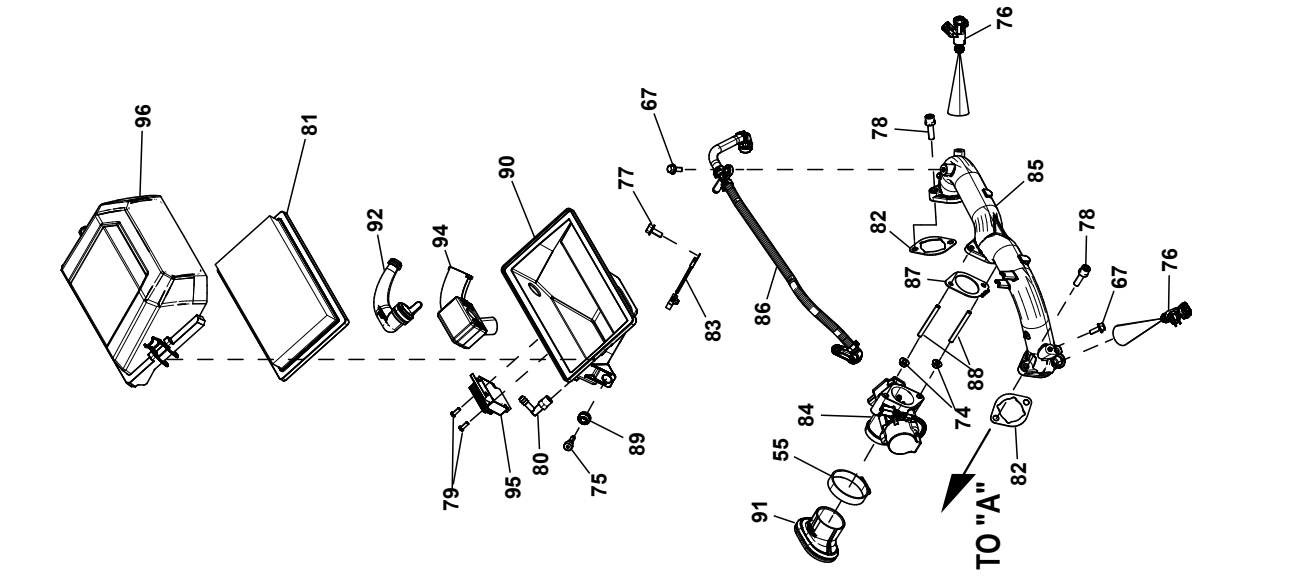


GROUP D



GROUP D



EXPLODED VIEW: EV GH816 EPT EFI

DRAWING#: A0002298386

GROUP D

ITEM	PART#	QTY.	DESCRIPTION
1	078699B	2	SLEEVE DOWEL PIN 12 DIA.
2	078699C	4	SLEEVE DOWEL PIN DIA.14
3	0E3812	2	SEAL D 35 X 48.2 VITON
4	0F6510	9	SCREW HHFC M8-1.25 X 40 C10.9
5	0G6431	2	SCREW SHC M6-1.0 X 50 G8.8
6	0L6110	3	SCREW SHC M6-1.0 X 20 C8.8
7	A0001193894	1	PUMP OIL ASSY
8	10000009733	1	GEAR COVER 35mm ASSY COOLER
	(1)10000022900	1	GEAR COVER 35mm ASSY NO COOLER
9	10000018344	1	CC 85MM MACHINED W/ TAPPER PLUGS
10	10000037649	1	ASSY OIL PICK-UP PLASTIC
11	0C5371	4	WASHER VALVE SPRING
12	0D2274	4	RETAINER VALVE SPRING
13	0J4967	2	SCREW HHFC M5-0.8 X 12
14	0L5489	4	SPRING VALVE GT999
15	10000008425	2	ASSY PISTON DISH TOP 85 DIA 8.5 CR
16	10000008511	4	ROCKER ARM
17	10000008954	2	ASSY CONNECTING ROD 112.7
18	10000009595	1	ASSY HEAD CYL #1 85MM
19	10000014726	1	ASSY HEAD CYL #2 85MM
20	10000014751	2	VALVE INTAKE 34 MM
21	10000014770	2	VALVE EXHAUST 27 MM
22	10000014772	4	LIFTER HYDRAULIC ASSY
23	10000014780	4	PUSHROD
24	10000014927	2	GASKET ROCKER COVER 85MM
25	10000014960	1	ROCKER COVER 85MM GPB W/BREATHER MCHND
26	10000016990	1	ASSY CRANKSHAFT 36 MM HSB TAPER
27	10000021593	4	VALVE STEM SEAL 6 X 12.7
28	10000023678	10	SCREW HWH SEMS M10-1.5 X 100
29	10000027536	4	STUD ROCKER BALL
30	10000027581	2	PLATE PUSHROD GUIDE STL
31	10000029131	1	CAMSHAFT-MACHINED 19.8 LIFT
32	10000033011	2	GASKET HEAD 85mm
33	10000034577	1	ROCKER COVER 85MM GPB NO BREATHER MCHND
34	10000040133	1	COALESCING MEDIA
35	A0006956476	1	GASKET BREATHER 69 X 71MM
36	10000045274	1	ASSY BREATHER PLATE
37	A0002291953	2	BRACKET LIFT V-TWIN
38	G080318	12	SCREW HHFC M6-1.0 X 25 FTH G8
39	G086515	8	KEEPER,VLV SPRING
40	070185E	1	OIL FILTER 90 LOGO ORNG-CAN
41	0C9764	6	SCREW HH HI-LO 1/4-15 X 3/4
42	0F0452C	2	HOSE 3/8 300DEG 6 LONG OIL
43	0G3662	6	CLAMP HOSE STEPLESS 17
44	0H8131	1	ASSY HOSE OIL DRAIN 16LG ORG
45	0L2917D	1	LOW OIL PRES SWITCH 10 PSI NO
46	0L6345	2	BARB STR SAE 1/4NPT X 3/8 ST-Z
47	0L6347	1	BARB STR SAE 3/8NPT X 3/8 ST-Z
48	10000009751	1	CAP OIL FILL ASSY M30
49	10000037763	1	OIL COOLER 300 BTU HOOKS
50	0C3032	1	PLATE FAN GV-990
51	0C3033	1	WASHER BELLEVILLE 25MM BOLT
52	0C3034	1	NUT HEX M24-2.0 G8 YEL CHR
53	0G0767B	2	SPARK PLUG GAP: 0.020
54	0H4957	2	SCREW HHFCS M8-1.25 X 10 C8.8
55	G035685	1	CLAMP HOSE #28 1.32-2.25
56	10000018146	2	ASSY IGNITION COIL W/ PLUG WIRE EPT 26MJ
57	10000022384	2	SENSOR-CKP VR A/C ENGINE 18MM BODY
58	10000022639	1	FLYWHEEL/RING GEAR 255MM FOR EFI
59	10000022810	1	KEY WOODRUFF 5 X 22
60	10000030322	1	FAN FLYWHEEL NYLON FOR EFI
61	A0005687516	1	CLIP NYLON WIRE RETENTION
62	A0000283026	3	SCREW SHC M5-0.8 X 12 C8.8
63	0E9323	1	STARTER MOTOR GEAR REDUCED 1KW
64	A0000562053	1	STATOR-SINGLE PHASE DIA 138 OD
65	G022129	2	WASHER LOCK M8-5/16

EXPLODED VIEW: EV GH816 EPT EFI

DRAWING#: A0002298386

GROUP D

ITEM	PART#	QTY.	DESCRIPTION
66	G061906	2	SCREW HHC M8-1.25 X 85 C8.8
67	0G0926	7	SCREW HHFCS M6-1 X 16 G8.8
68	082121C	1	CLIP-J VINYL COAT .625 ID
69	10000014943	1	WRAPPER OUTSIDE CYL 1
70	10000014973	1	BLOWER HOUSING
	(1)10000043430	1	BLOWER HOUSING NO OIL COOLER
71	10000014974	1	WRAPPER OUTSIDE CYL 2
72	A0000040224	1	WRAPPER CENTER FI
73	A0000603555	1	COVER FAN W/OIL COOLER EPT
	(1)A0000603554	1	COVER FAN W/O OIL COOLER EPT
74	0E8388	2	NUT HEX FL WHIZ M6-1.0
75	0E9582	2	SCREW SHLDR(8MM) M6-1.0 X 21
76	A0001330266	2	INJECTOR FUEL 18°
77	0D6147	1	SCREW HHFCS M6-1.0 X 10 G9.8 ZY
78	0G3730A	4	SCREW SHC M8-1.25 X 30LG SEMS
79	0G3869	2	SCREW PPPH HI-LO #10-16 X ½
80	0G7783	1	BARBED EL 90 1/4NPT X 1/4 NY
81	0J8478	1	FILTER AIR ELEMENT 236X139X37
82	10000014758	2	GASKET INTAKE MANIFOLD
83	10000018144	1	SENSOR ENGINE TEMP 7MM RING
84	10000041675	1	ASSY THROTTLE BODY ETC 34mm
85	10000041858	1	MANIFOLD INTAKE EFI V-TWIN MACH ANGLED TB
86	10000043634	1	ASSY FUEL RAIL EFI
87	10000043781	1	GASKET THROTTLE BODY EFI
88	A0000196438	2	STUD M6-1.0 X 62 G5 ZINC
89	A0000293583	2	ISOLATION GROMMET EFI
90	A0000298152	1	AIRBOX BASE EFI
91	A0000298160	1	INTAKE BOOT EFI
92	A0000310835	1	HOSE BREATHER EPT 2019
93	A0000511607	1	HARN ENG 816CC EFI G26
94	A0000518010	1	HOUSING BREATHER TUBE EFI
95	A0000561223	1	REGULATOR ASSY SINGLE PHASE FULL WAVE
96	A0000603524	1	COVER ASSY AIRBOX EFI RECESS
97	029333A	2	TIE WRAP UL 7.4X .19 BLK (NOT SHOWN)
98	A0003759561	1	OIL SHIELD SILICONE RUBBER
99	A0003924512	2	SCREW SHOULDER (5MM) M6-1.0 X 21
100	A0003924263	2	WASHER FLAT M8 9.0 ID X 28 OD
101	G049811	2	WASHER FLAT M6

NOTES:

(1)OPTIONAL W/O COOLER