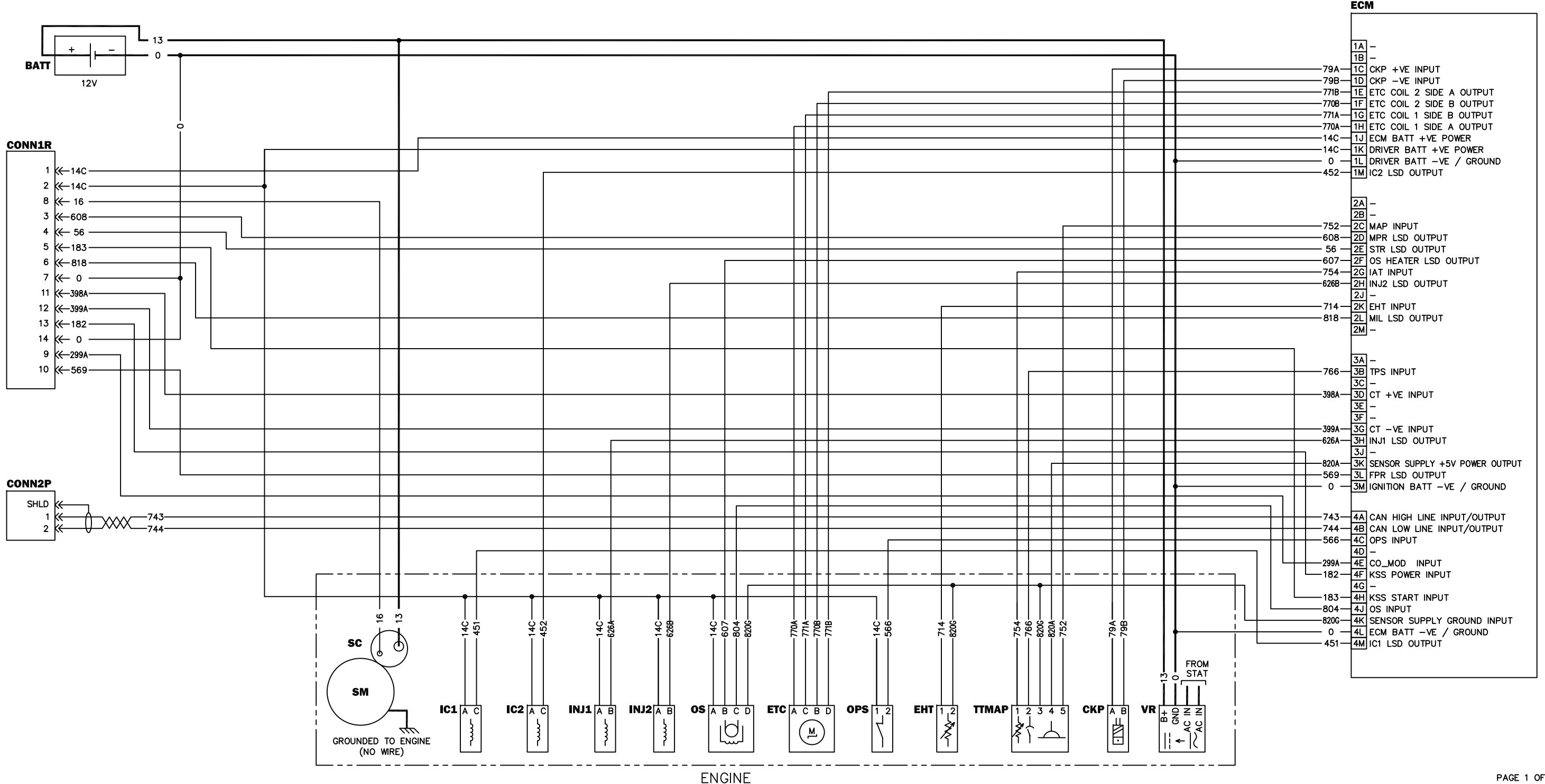


LEGEND			
AVR - AUTOMATIC VOLTAGE REGULATOR	CONN_R - CONNECTOR # RECEPTACLE	F_ - FUSE #	KSS - KEY START SWITCH
BA - BRUSH ASSEMBLY	CO_MOD - CARBON MONOXIDE MODULE	FBR - FIELD BOOST / FUEL PUMP RELAY	LSD - LOW SIDE DRIVER
BATT - BATTERY	CT - CURRENT TRANSFORMER	FP - FUEL PUMP	MAP - MANIFOLD AIR PRESSURE SENSOR
CAN - CONTROLLER AREA NETWORK	DB_ - DIODE BRIDGE #	HM - HOUR METER	MIL - MALFUNCTION INDICATOR LAMP
CB_ - CIRCUIT BREAKER #	ECM - ENGINE CONTROL MODULE	IAT - INTAKE AIR TEMPERATURE SENSOR	MPR - MAIN POWER RELAY
CKP - CRANKSHAFT POSITION SENSOR	EHT - ENGINE HEAD TEMPERATURE SENSOR	IC_ - IGNITION COIL CYLINDER #	OPS - OIL PRESSURE SWITCH
CONN_P - CONNECTOR # PLUG	ETC - ELECTRONIC THROTTLE CONTROLLER	INJ_ - FUEL INJECTOR CYLINDER #	OS - EXHAUST GAS OXYGEN SENSOR
			OUTLET_ - ELECTRICAL OUTLET / RECEPTACLE #
			R1 - RESISTOR1
			SC - STARTER CONTACTOR
			SM - STARTER MOTOR
			STR - STARTER RELAY
			STAT - STATOR
			TB - TERMINAL BLOCK
			TPS - THROTTLE POSITION SENSOR
			TMAP - TPS, IAT, AND MAP 3-IN-1 SENSOR
			VR - VOLTAGE REGULATOR

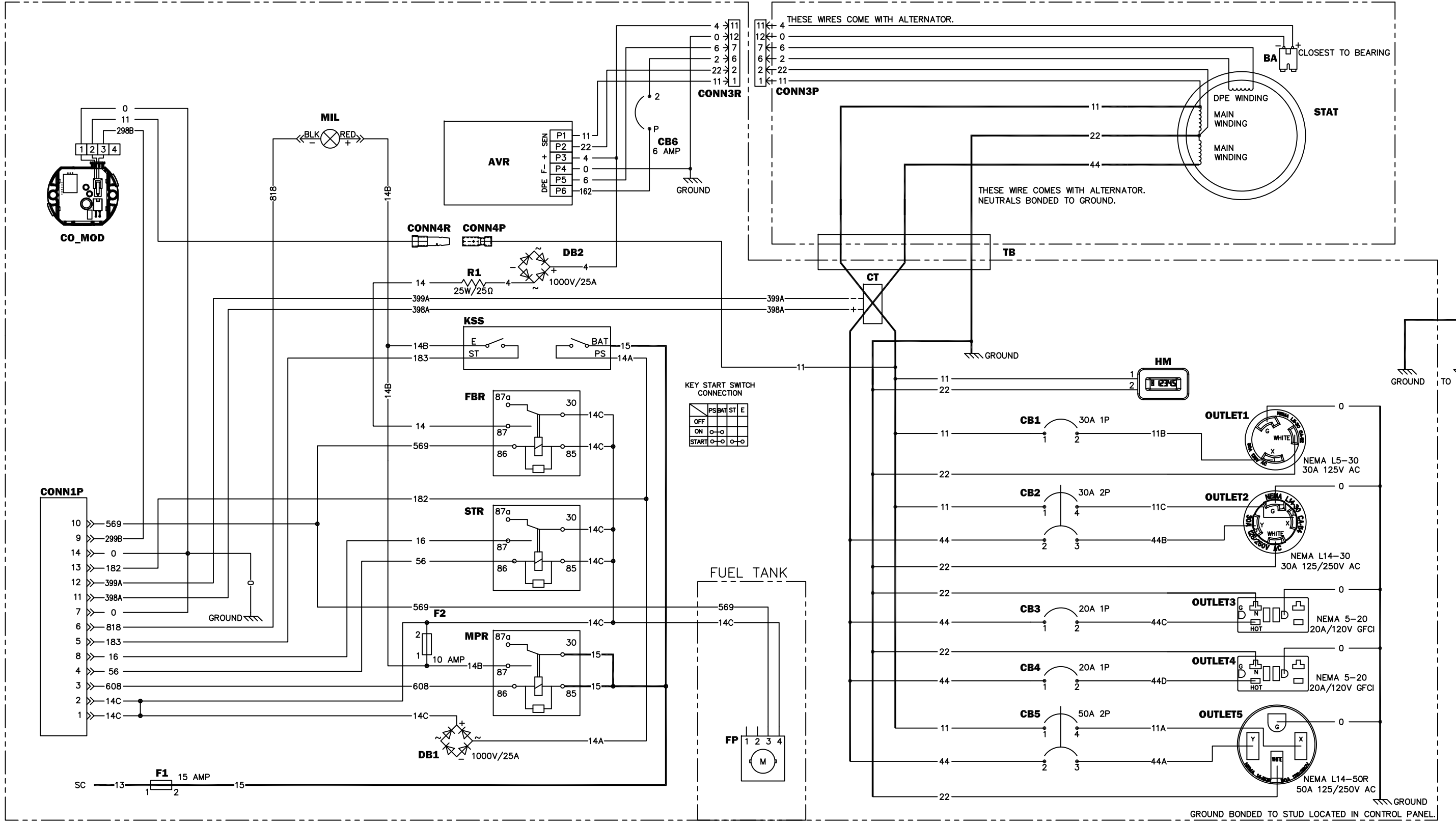


DATE	BY	DESCRIPTION	DATE	BY	DESCRIPTION
7/30/21	CN-0047959-A	RELEASED FOR PRODUCTION	7/26/22	CN-0062841-F	REVISE WIRE NUMBER FROM 766 TO 752 FOR TMAP-3
9/28/21	CN-0050735-B	ADD THE WIRE NUMBER AND UPDATE THE DESCRIPTION OF BA	11/17/22	CN-0063888-G	UPDATE THE CO MODULE AND FUEL PUMP NAME. ADD LEGEND. REMOVE ALL NAME.
3/2/22	CN-0054785-C	ADD GROUND WIRE TO FRAME			
6/21/22	CN-0058093-D	ADD WIRE NUMBER IN PAGE 1. DELETE PINS UNUSED.			
7/26/22	CN-0059456-E	REMOVE THE TITLE AND BOX AROUND CO MODULE. CUT EXCESS WIRES.			

EST. WT.		DRAWING TITLE	SCHEMATIC DIAGRAM EFI G26	
FINAL WT.		MATERIAL		
DO NOT SCALE				
ALL DIMENSIONS AND TOLERANCING PER ASME Y14.5M-1994		FILE NAME	A0000984010.DWG	SIZE D
UNLESS OTHERWISE SPECIFIED:		SCALE	NTS	FIRST USE EFI G26
ALL X DIMS - 25.4 MM		DWG NO.	A0000984010	
ALL Y DIMS - 25.4 MM		DRAWN BY:	NICOLE-CTC	DATE 12/20/19
ALL ANGLES - 45°		ALL APPROVALS ELECTRONICALLY STORED INSIDE WINDCHILL		

CONTROL PANEL

ALTERNATOR



KEY START SWITCH CONNECTION

OFF	PS	BAT	ST	E
ON	○	○	○	○
START	○	○	○	○

1	2	3	4	5	6	7	8
SEE SHEET 1							

EST. WT.		DRAWING TITLE	SCHEMATIC DIAGRAM EFI G26		GENERAC
FINAL WT.		MATERIAL			
DO NOT SCALE		UNLESS OTHERWISE SPECIFIED:		FILE NAME	A0000984010.DWG
ALL DIMENSIONS AND TOLERANCING PER ASME Y14.5-2014		ALL DIMENSIONS AND TOLERANCING PER ASME Y14.5-2014		SCALE	NTS
ALL DIMENSIONS AND TOLERANCING PER ASME Y14.5-2014		ALL DIMENSIONS AND TOLERANCING PER ASME Y14.5-2014		DATE	12/20/19
ALL DIMENSIONS AND TOLERANCING PER ASME Y14.5-2014		ALL DIMENSIONS AND TOLERANCING PER ASME Y14.5-2014		DWG NO.	A0000984010
ALL DIMENSIONS AND TOLERANCING PER ASME Y14.5-2014		ALL DIMENSIONS AND TOLERANCING PER ASME Y14.5-2014		REV	G