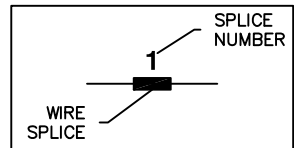
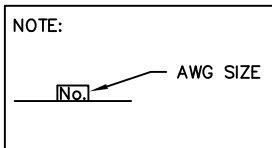
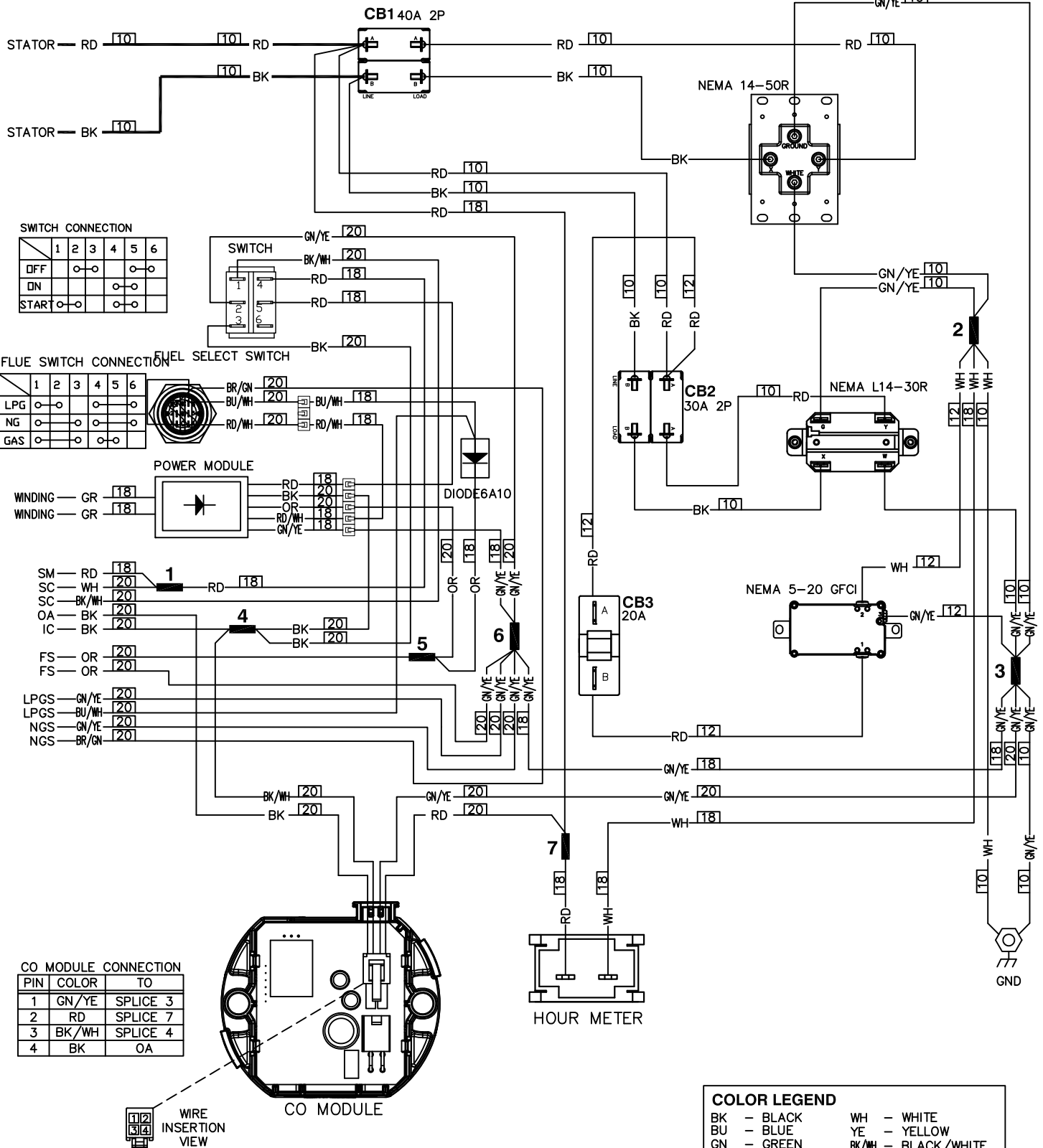


- LEGEND**
- | | |
|-----------------------------------|------------------------|
| AVR - AUTOMATIC VOLTAGE REGULATOR | LPGS - LPG SOLENOID |
| BA - BRUSH ASSEMBLY | OA - OIL ALARM |
| BATT - BATTERY | OS - OIL SENSOR |
| CB - CIRCUIT BREAKER | SC - STARTER CONTACTOR |
| FS - FUEL SOLENOID | SM - STARTER MOTOR |
| IC - IGNITION COIL | SP - SPARK PLUG |



CONTROL PANEL BLOCK



SWITCH CONNECTION

	1	2	3	4	5	6
OFF	○	○	○	○	○	○
ON	○	○	○	○	○	○
START	○	○	○	○	○	○

FLUE SWITCH CONNECTION

	1	2	3	4	5	6
LPG	○	○	○	○	○	○
NG	○	○	○	○	○	○
GAS	○	○	○	○	○	○

CO MODULE CONNECTION

PIN	COLOR	TO
1	GN/YE	SPLICE 3
2	RD	SPLICE 7
3	BK/WH	SPLICE 4
4	BK	OA

COLOR LEGEND

BK - BLACK	WH - WHITE
BU - BLUE	YE - YELLOW
GN - GREEN	BK/WH - BLACK/WHITE
GR - GREY	BR/GN - BROWN/GREEN
OR - ORANGE	BU/WH - BLUE/WHITE
RD - RED	GN/YE - GREEN/YELLOW
	RD/WH - RED/WHITE

REVISION: A
DATE: 1/8/25

WIRING - DIAGRAM
WD/SD ES GP9500ETF 49ST 60Hz 120/240 VAC
DRAWING #: A0006739149