

GP8000E Portable Generator

Parts Manual

Model: G0076863

 **WARNING**

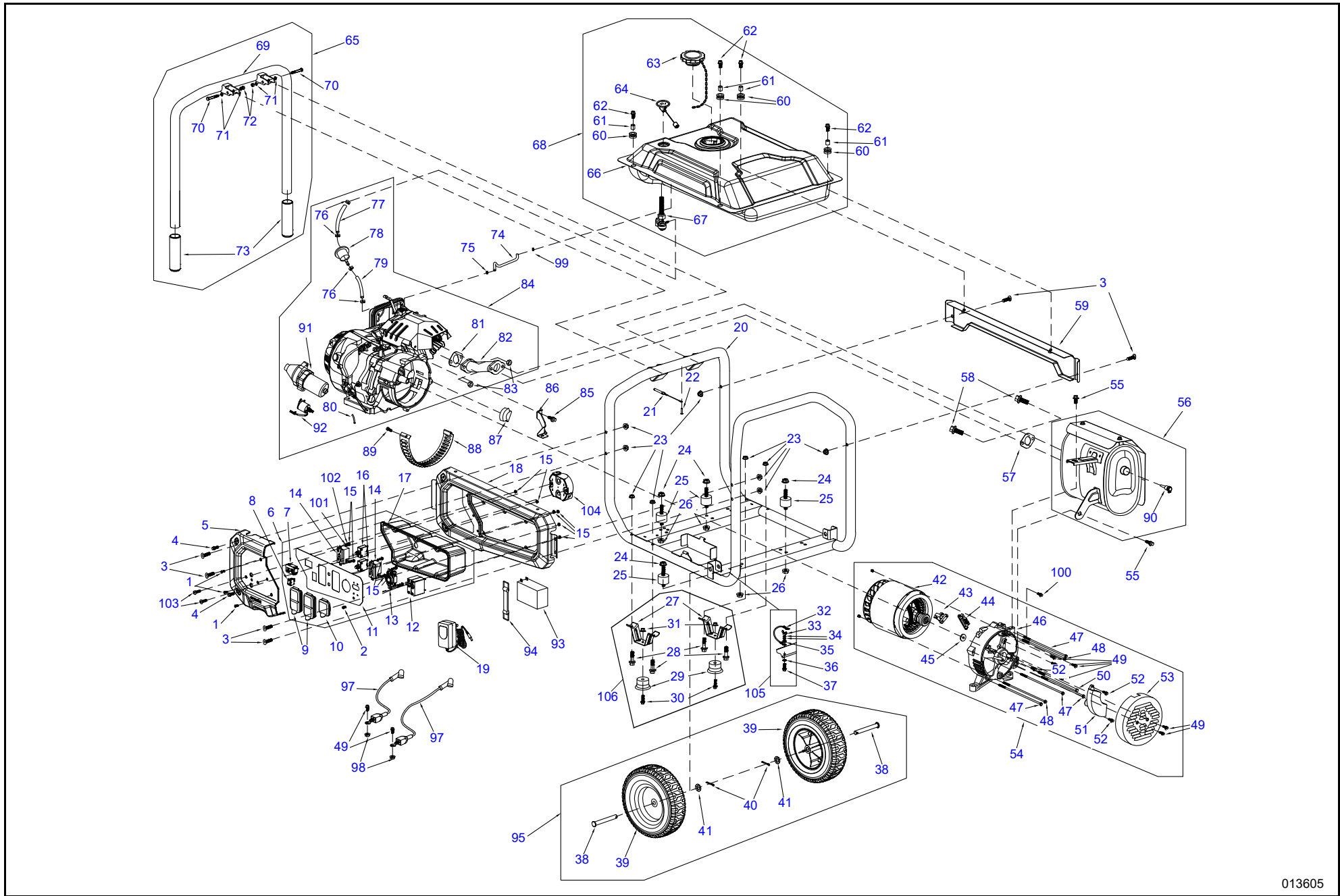
CANCER AND REPRODUCTIVE HARM

www.P65Warnings.ca.gov.

(000393a)

The information in this manual is known to be accurate as of the date of release shown on the cover. However, engineering changes can occur without notice. To obtain the proper parts, be sure to use the serial number of the unit being serviced when ordering from this manual. Always refer to any part notes and changes before ordering. All other parts not shown in the manual can be found on Generac's exploded view drawings at www.generac.com or by contacting your local authorized dealer.

www.generac.com or 1-888-GENERAC



013605

QUICK REFERENCE GUIDE

Engine Size	Fuel	Engine Part No.
420cc	GASOLINE	0H9838C

QUICK REFERENCE PARTS

Description	Part No.	Special Notes
FILTER, FUEL	0G9914	
ELEMENT, AIR CLEANER	0G84420151	
PLUG, SPARK	0J00620106	

ITEM	PART NO.	DESCRIPTION	QTY
1	10000035906	BOLT M5X16	3
2	0J4959	ASSY., 12VDC CHARGER INPUT	1
3	0H1780	CURVED HEAD BOLT M8-1.25X41MM	6
4	10000038990	BOLT M5X12	2
5	10000030651	COVER, CONTROL PANEL	1
6	A0000592122	ASSY., CONTROL PANEL FACEPLATE W/DECAL	1
7	0G8321	HOUR METER W/ ALTERS AC/DC	1
8	10000042575	ENGINE SWITCH	1
9	0G9392	OUTLET COVER 20A 120V	2
10	0G9391	OUTLET COVER 30A 120/240V	1
11	ORDER #6	FACEPLATE	1
12	0G9023C	BREAKER 30A 2P 240V C AA2 QT	1
13	0K95240111	RECEPTACLE, L14-30R	1
14	10000028117	RECEPTACLE, GFCI	2
15	0J86620108	NUT M4	12
16	0H0265C	CIRCUIT BREAKER 20A 1P CUL/CSA	2
17	ORDER #6	PANEL COVER, BACK	1
18	A0000619545	ST19 WELDMENT SIDE PANEL V2.5	1
19	10000020426	CHARGER AC ADAPTOR 14VDC PLUG	1
20	A0001033997	ST03 GP8000E CRADLE 49ST	1
21	0K3399	PIN QUICK RELEASE XT	1
22	N/A	RIVET D5X25	1
23	0K0098	NUT FLANGE M8	10
24	0J4029	NUT HEX FL WHIZ M10X1.25_S=14	4
25	0K09150110	VIB MOUNT RUBBER M10X1.25-M8X1.25	4
26	0K22930127	NUT FLANGE M8	4

ITEM	PART NO.	DESCRIPTION	QTY
27	0K00970ST03	BRACKET FOOT	2
28	G073144	SCREW HHFC M8-1.25X45 G8.8	4
29	0J8836	ISOLATOR FOOT	2
30	0K0100	SCREW HHFC M6-1.0X28 G8.8	2
31	0K0105	NUT HEX FL WHIZ M6	2
32	ORDER #105	ASSY GND WIRE	1
33	ORDER #105	NUT BUTTERFLY M6	1
34	ORDER #105	WASHER FLAT 6X13X1	2
35	ORDER #105	NUT M6	1
36	ORDER #105	WASHER LOCK SPECIAL ID-6MM OD-12MM	1
37	ORDER #105	BOLT M6X20	1
38	0H0204	AXLE PIN 1/2X 4 3/4 HEAD	2
39	0K6011	WHEEL COMP. 9.5 DIA PLASTIC	2
40	10000035957	COTTER PIN	2
41	10000035961	WASHER FLAT Ø13X2	2
42	ORDER #54	ALTERNATOR	1
43	0H0919	BRUSH ALTERNATOR ASSEMBLY	1
44	0J83630111	TERMINAL LP5500	1
45	0J86620102	WASHER FLAT Ø10X4	1
46	0H91980171	HOUSING, RR BEARING CARRIER	1
47	0H92090105	BOLT FLANGE-STATOR M6X191	4
48	0H9838C112	BOLT ROTOR M5X232	2
49	0J4967	BOLT HHFC M5-0.8X12	8
50	0H92090104	BOLT-ROTOR M10X285	1
51	0H91980178	AVR	1
52	0J4968	SCREW, HHFC M5-0.8X16	3
53	10000028206	GENERATOR END COVER	1
54	0K0755	ALTERNATOR ASSY. ALU-MINUM BRUSH 8000W	1
55	0E9470	SCREW HHFC M8-1.25X16 G8.8	2

ITEM	PART NO.	DESCRIPTION	QTY
56	A0001076160	MUFFLER ASSEMBLY	1
57	0J4691	GASKET, EXHAUST, MUFFLER 389	1
58	0E9507B	SCREW HHFC M8-1.25X25 W/M10	2
59	10000031804	ST19 SIDE PANEL EXHAUST	1
60	0H1411	RUBBER MOUNT, FUEL TANK 10.8 ID X 9 TALL	4
61	0H1610	ANTI-CRUSH 10.8OD 9ID 7.8LG	4
62	0G5445	SCREW HHTT M8-1.25X20	4
63	0H0958A	ASSY GAS CAP SEALED	1
64	0H9005A	FUEL GAUGE 150LG	1
65	A0001599674	HANDLE KIT ASSEMBLY	1
66	ORDER #68	FUEL TANK WLDMNT GP 7.9 GAL	1
67	A0000680514	VALVE FUEL SHUTOFF CARB 2020	1
68	A0001599663	FUEL TANK ASSEMBLY 7.9GAL WITH DECAL	1
69	ORDER #65	ST03 WELDMENT HANDLE GP	1
70	10000028242	BOLT M8X55MM	2
71	10000028280	WASHER FLAT Ø9X1.5	4
72	10000028262	NUT M8	2
73	10000035971	HANDLE GRIP-TOP	2
74	0J4051	EVAPORATIVE HOSE	1
75	0K97920112	HOSE CLAMP, Ø11	1
76	0J88870130	CLAMP, Ø9	4
77	0L36230133	FUEL HOSE Ø9.6X65	1
78	0G9914	FUEL FILTER G19-389	1
79	0G9757B	FUEL HOSE 4 ID X 9.6 OD X 80MM	1
80	10000035981	SHEATH-WIRE	1
81	0G9028	GASKET, EXHAUST, CYLINDER 389CC	1
82	0G8442F111	MANIFOLD, EXHAUST	1
83	0J35220161	HEX NUT M8	2
84	0H9838C	ENGINE G420FDA (EPA/CARB)	1
85	0H58410163	BOLT FLANGE M6X12	1
86	10000035982	BRACKET, AIR CLEANER	1

ITEM	PART NO.	DESCRIPTION	QTY
87	0J86620104	BAFFLE	1
88	0H9761	ALTERNATOR SCROLL COVER	1
89	0J00620100	BOLT FLANGE M5X10	1
90	0J5207C110	SPARK ARRESTOR W/ CLAMP	1
91	0H98380101	START MOTOR	1
92	0H98380102	START RELAY	1
93	0G9449	BATTERY 12V SEALED	1
94	0H7945	ASSEMBLY, BATTERY STRAP	1
95	A0001599673	WHEEL KIT	1
97	0J4157B	BATTERY WIRE, ANODE	1
97	0J4157A	BATTERY WIRE, CATHODE	1
98	0H3535	NUT FLANGE M5-0.8 NYLOCK	2
99	0J88870130	CLAMP, Ø9	1
100	0G84420194	BOLT FLANGE M6X12	1
101	G043180	WASHER (M4)	6
102	G078437	WASHER, STRETCH	6
103	10000035907	BOLT M5X15	2
104	A0000780191	KIT-CO SENSE V2.5 MODULE SERVICE	1
105	A0002195389	KIT, GROUND WIRE ASSEMBLY	1
106	A0002195422	KIT, FEET	1

NOTE: See manual 0H9838CPMNL for replacement engine parts.

GENERAC®

Generac Power Systems, Inc.
S45 W29290 Hwy. 59
Waukesha, WI 53189
1-888-GENERAC (1-888-436-3722)
www.generac.com

Part No. A0001042562 Rev. A 03/14/2022
©2022 Generac Power Systems, Inc.
All rights reserved.
Specifications are subject to change without notice.
No reproduction allowed in any form without prior written consent from Generac Power Systems, Inc.